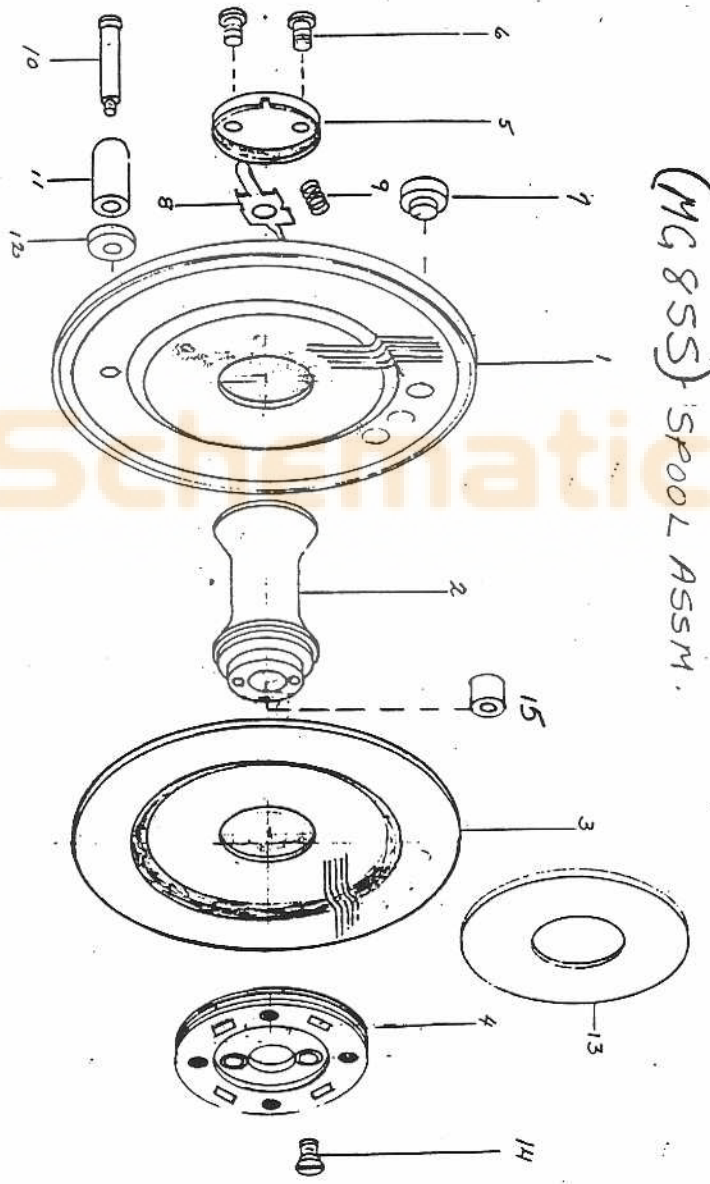


M-9-D  
(MG 855) SPOOL ASSM.



NUMBER OF PART	QUANTITY
1 G11 SKIRTED SPOOL SIDE	1
2 812-R HUB	1
3 802-R REMOV. SPOOL SIDE	1
4 1209 CLUTCH ASSM.	1
5 251-R SPOOL NUB CAP	1
6 203-S END CAP SCREW	2
7 845-B COUNTER BALANCE	1
8 252-S SPOOL LOCK	1
9 253-S LOCK SPRING	1
10 221-S CRANK KNOB PIN	1
11 868-11 CRANK KNOB	1
12 142-B CRANK KNOB JACKET	1
13 863 REINFORCEMENT	2
14 279-S CLUTCH SCREW	2
15 280 SPOOL BUSHING	2